

Pressure Gauges / Accessories / Push-Button Pressure Cock Valves

CONSTRUCTIVE PROPERTIES

	STANDARD	OPTIONAL
Material	Brass Nickel Coated	
Sealing	NBR	
Max.Pressure	PN 6	
Max.Temperature	80°C	
Nominal Diameter	DN 15	

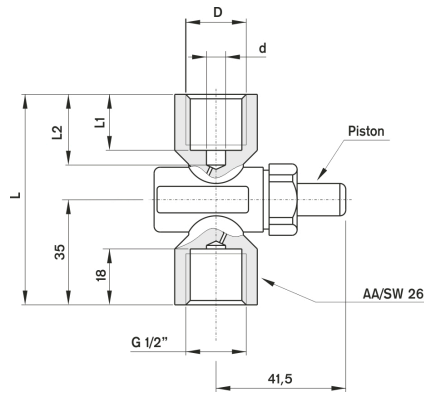
USAGE PROPERTIES

Applications	Used where pressure gauge is intended for controlling purpose and the value not needed to be seen continuously.	
--------------	---	--

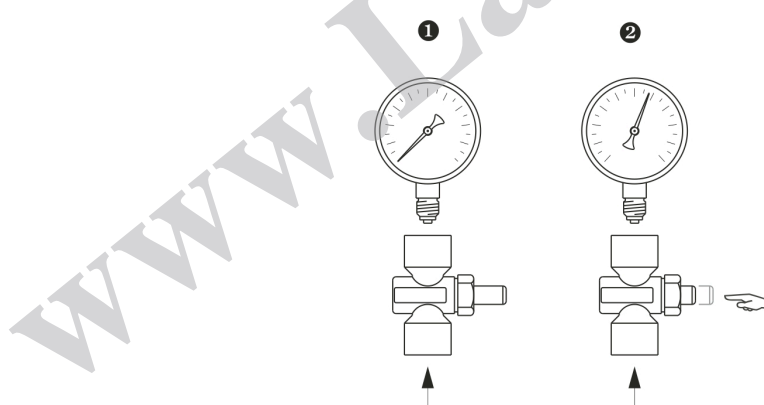


1040 04 04
Push-Button Pressure Cock Valves

www.Laheghi.com



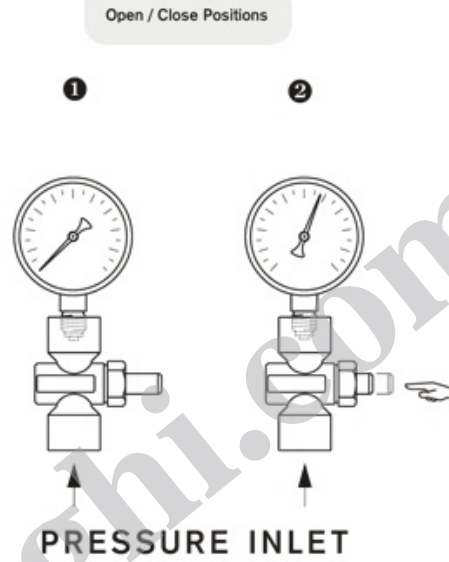
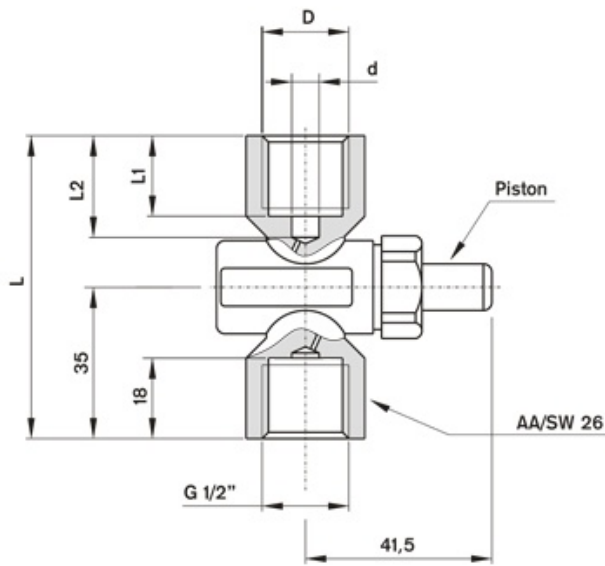
Model No: 1040



Model No: 1040

ACCESSORIES FOR PRESSURE GAUGES
PRESSURE COCK VALVES

11.10



Nut / Nut Connections PN 4 bar						
D	L1	d	L2	L	Weight (gr.)	Model No
G 1/4"	12	5,5	16,5	70	250	1040 04 02
G 1/2"	18	7	23,5	70	245	1040 04 04